

For reference only. See data sheet for the detailed specifications.

## Technical Specification

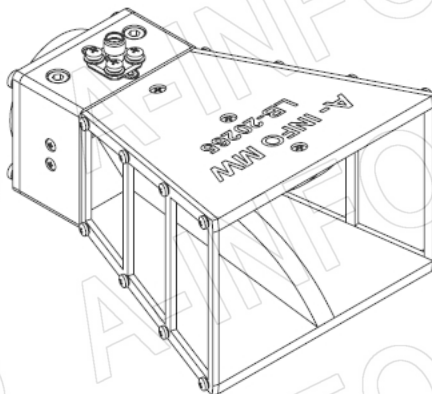
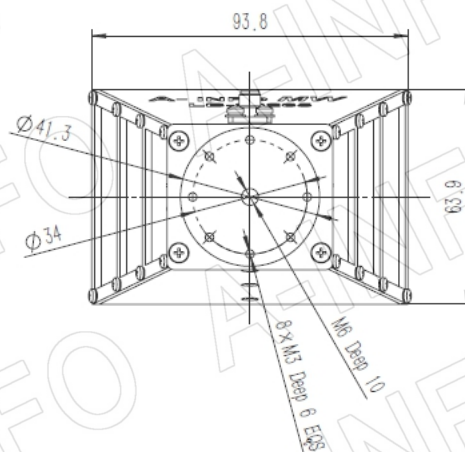
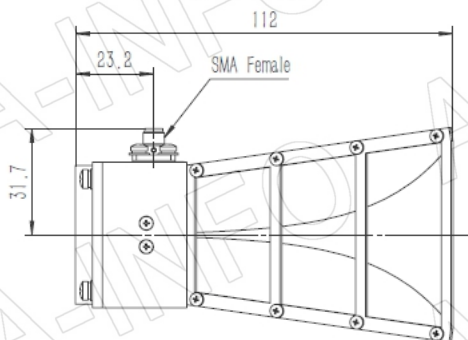


Frequency Range(GHz)	2.0 - 26.5
Gain(dBi)	13 Typ.
Polarization	Linear
3dB Beamwidth(deg)	E Plane: 111 - 24
	H Plane: 86 - 18
Cross Pol. Isolation(dB)	35 Typ.
VSWR	1.5:1 Typ.
	2.5:1 Max.
Connector	SMA-Female or 3.5mm-Female
Power Handling(W CW)	50 Max.
Material	Al
Finish	Chemical Conversion Coating
Size(mm)	93.8 x 63.9 x 112
Net Weight(Kg)	0.34 Around

## Outline Drawing (Size: mm)

SMA-Female Output (P/N: LB-20265-SF)

For 3.5mm-Female output outline drawing, please contact A-INFO.



## AINFO Inc.

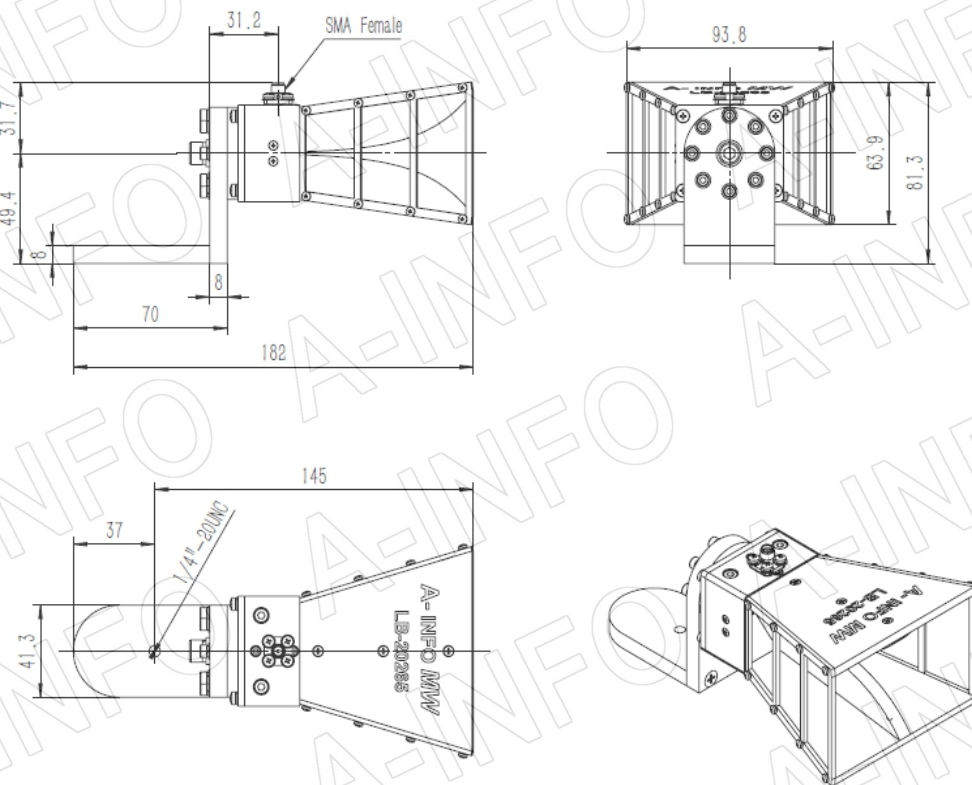
China(Beijing): Tel: (+86) 10-6266-7326,  
China(Chengdu): Tel: (+86) 28-8519-2786,  
USA: Tel: (+1) 949-639-9688,

Page 1 of 10  
(+86) 10-6266-7327 Fax: (+86) 10-6266-7379  
(+86) 28-8519-3044 Fax: (+86) 28-8519-3068  
(+1) 949-639-9608 Fax: (+1) 949-639-9670

Website: www.ainfoinc.com  
Email: sales@ainfoinc.com

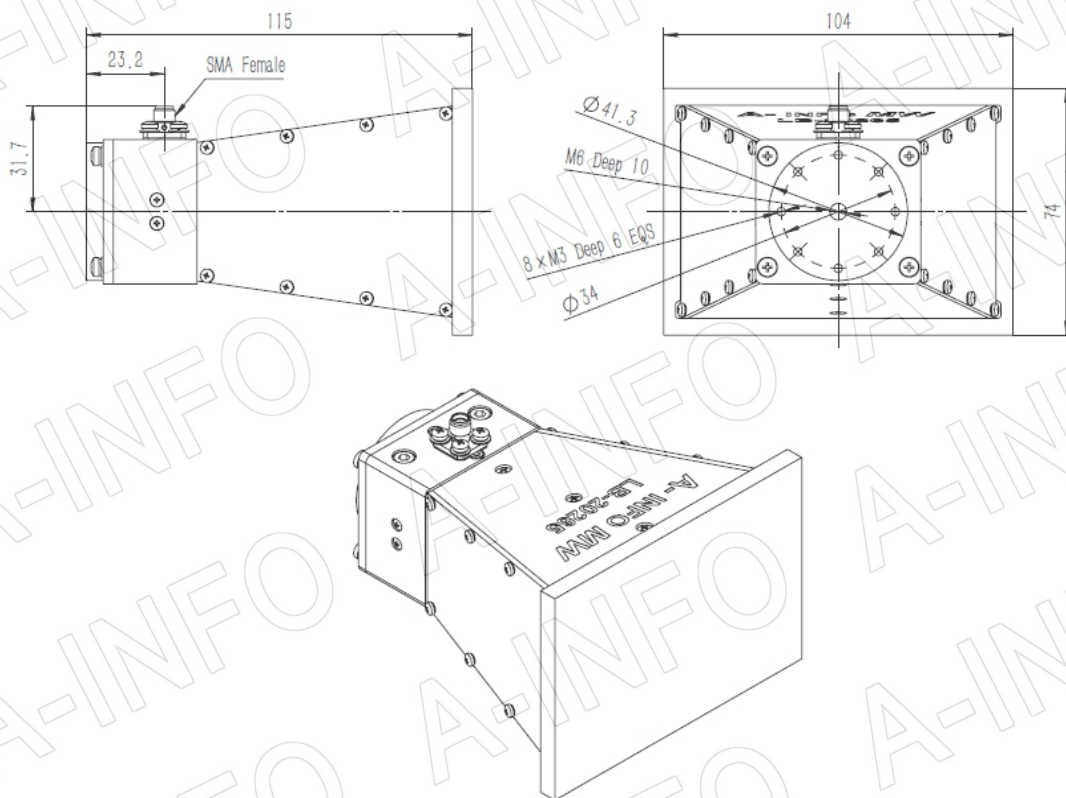
## SMA-Female Output with L Type Mounting Bracket (Option, P/N: LB-20180-L)

For 3.5mm-Female output outline drawing, please contact A-INFO.



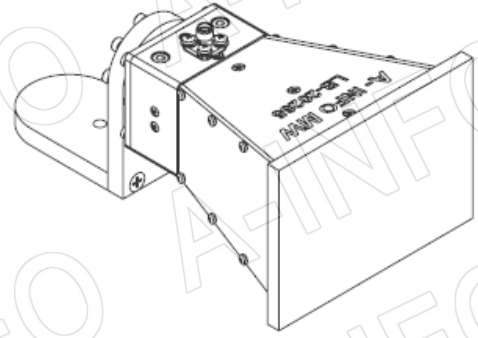
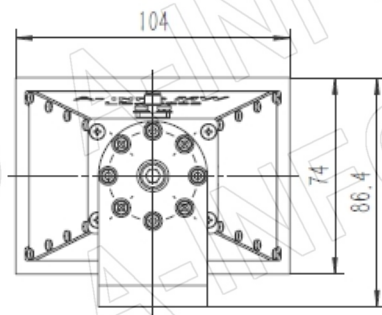
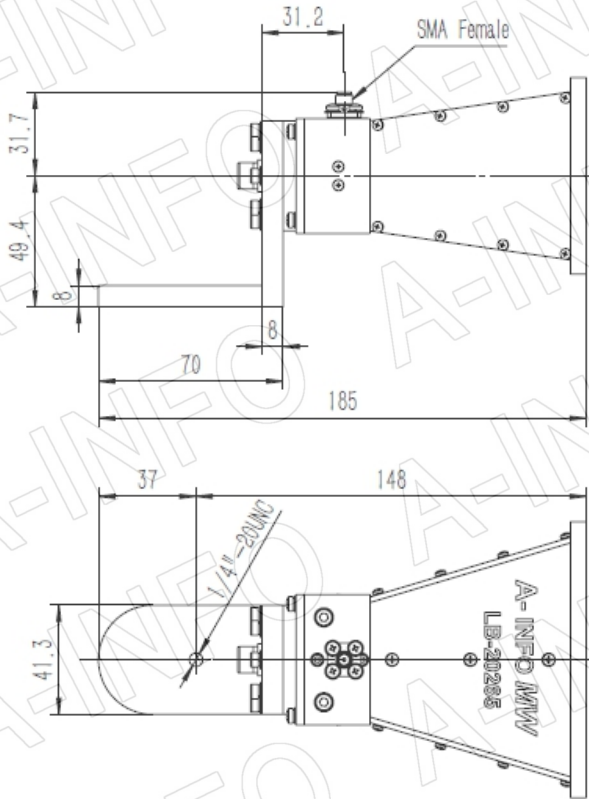
## SMA-Female Output with Radome (Option, P/N: LB-20265-SFSP0, Outdoor Application)

For 3.5mm-Female output outline drawing, please contact A-INFO.



SMA-Female Output with L Type Mounting Bracket & Radome (Option, P/N: LB-20180-L & LB-20265-SFSP0, Outdoor Application)

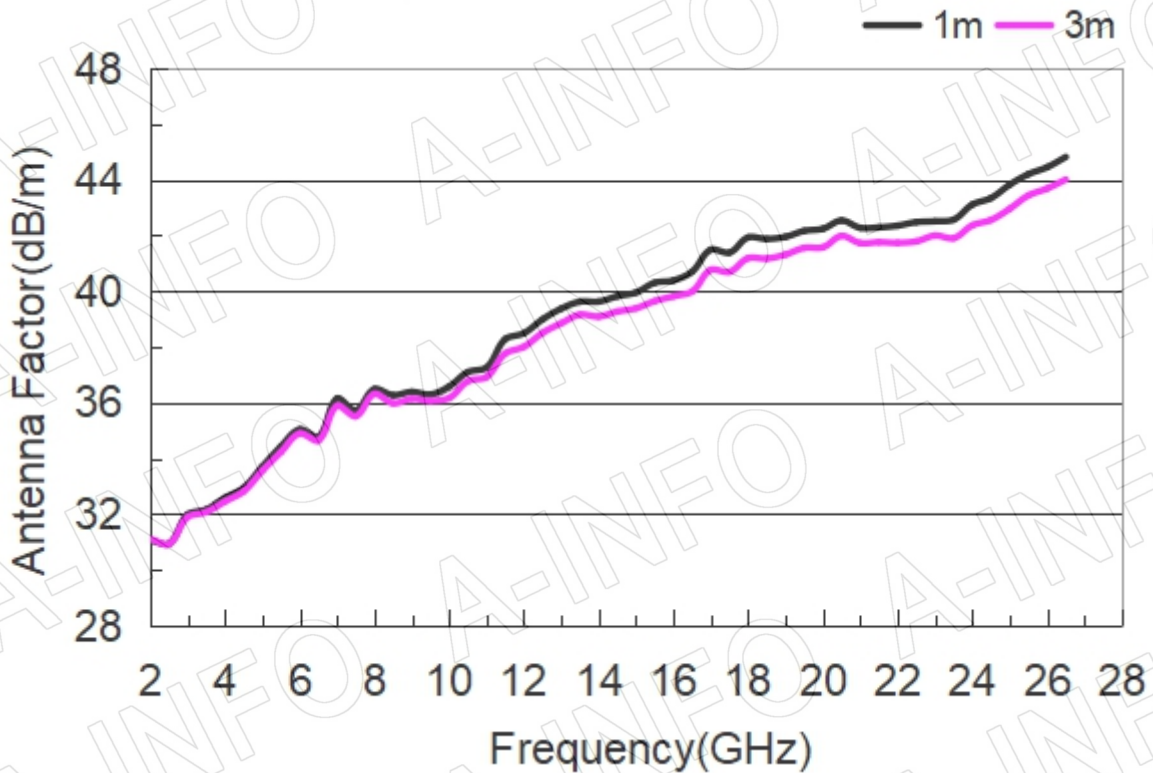
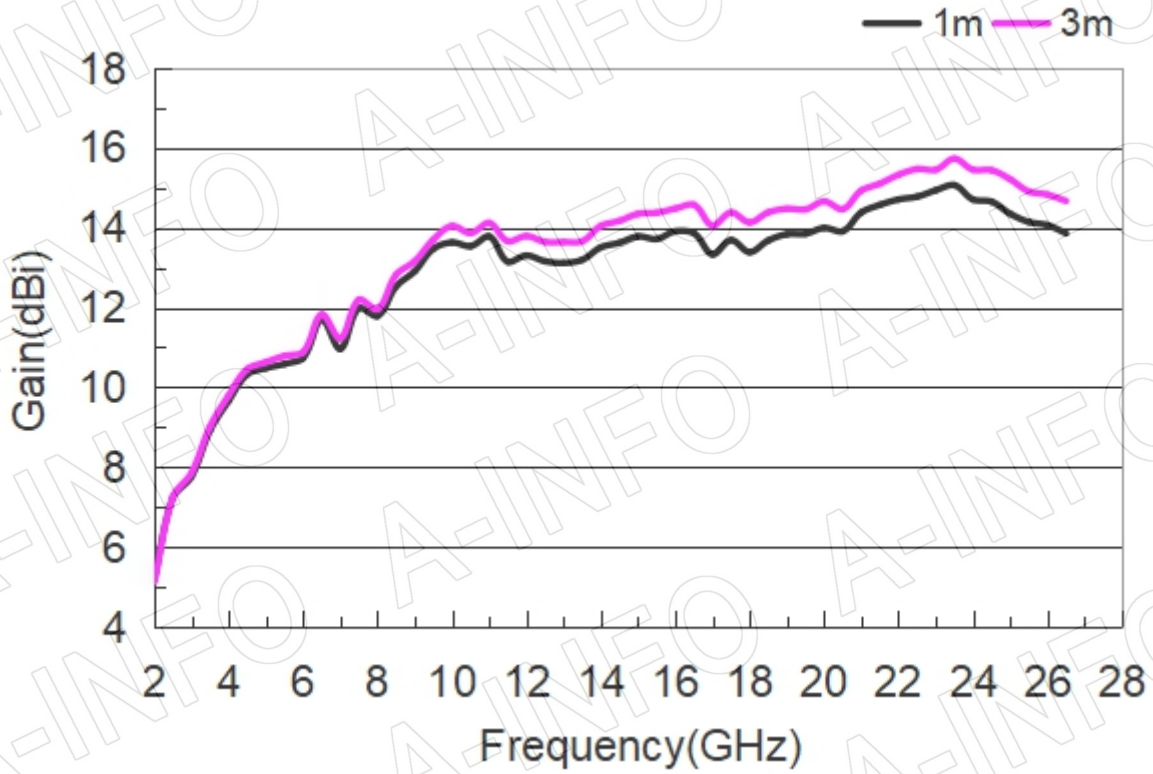
For 3.5mm-Female output outline drawing, please contact A-INFO.



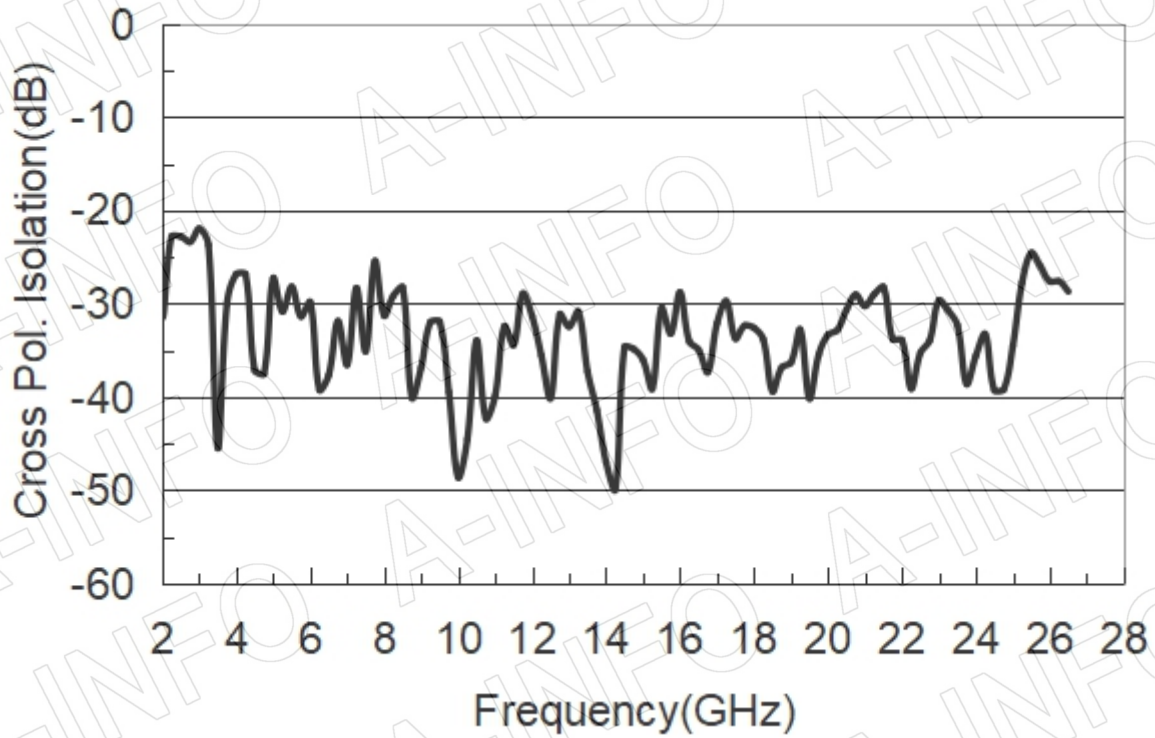


## Test Results

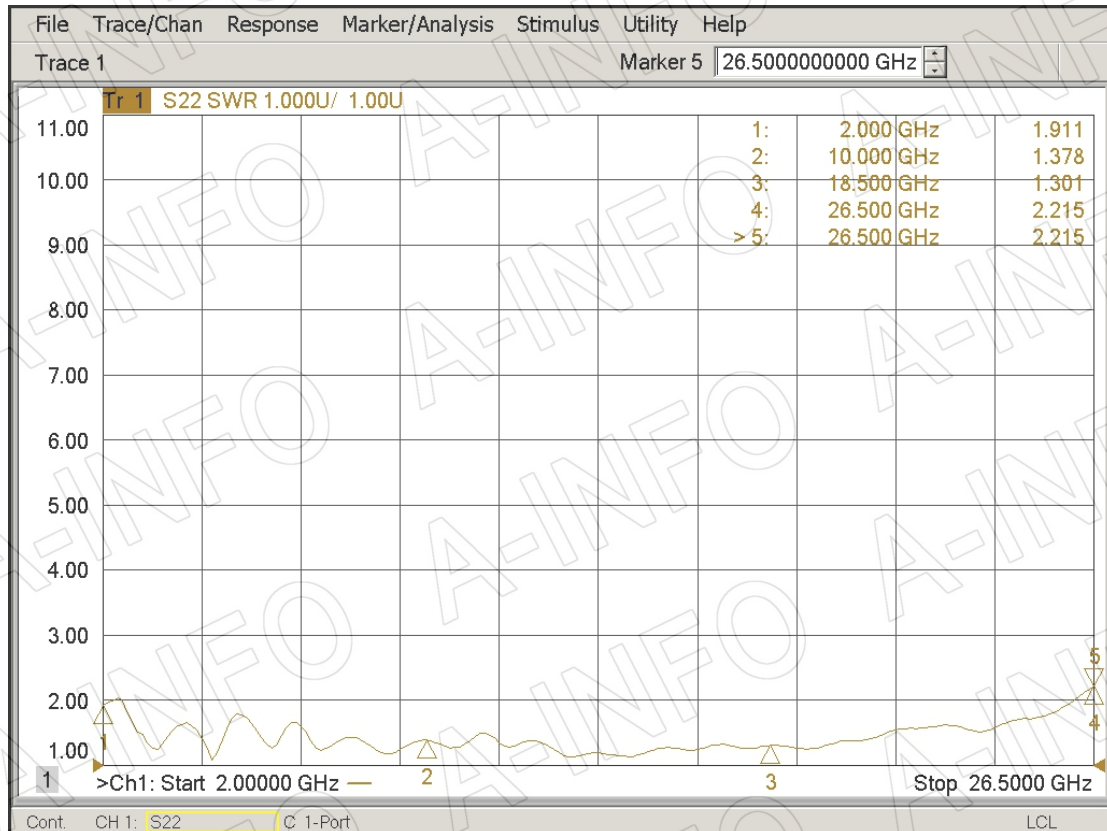
### 1. Gain & Antenna Factor



## 2. Cross Pol. Isolation



## 3. VSWR



## 4. Pattern

